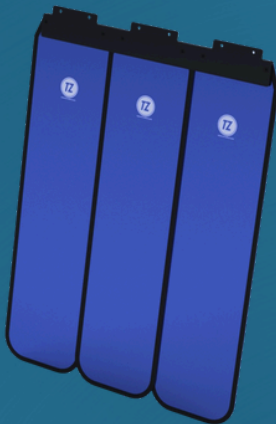




TZ Medical
Sparked by your ideas

URPRO INSERT KIT

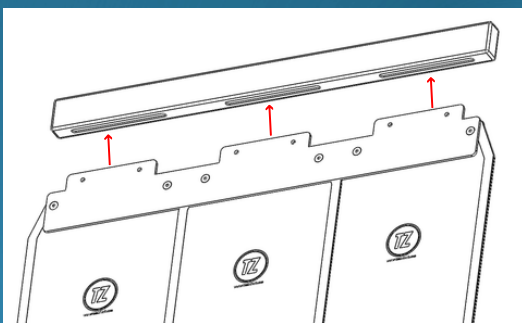
A Smarter Way to Restore Lower Body Radiation Protection



The URPro Insert Kit allows facilities to replace original lower-body radiation protection panels with modular URPro replacement panels while maintaining compatibility with existing shielding system hardware. Designed to mount directly to supported lower-body protection frames, the Insert Kit provides a cost-effective alternative to replacing large, one-piece OEM shielding panels.

- Attenuates 98% of secondary and scatter radiation at 80 kVp
- Lead equivalent of 0.50 mm
- Allows replacement of OEM shielding with modular URPro replacement panels
- Maintains lower-body scatter radiation protection during procedures
- Individual panels can be replaced as needed, reducing replacement costs and downtime

Directly mounts to the UT-70 table bar and extension arm for fast installation and panel replacement.



Item #	Description	UOM
BDR-1082	URPro Insert Kit - 3 Panel, 30" L	1 Each
BDR-1083	URPro Insert Kit - 4 Panel, 30" L	1 Each
BDR-1084	URPro Insert Kit - 3 Panel, 35" L	1 Each
BDR-1085	URPro Insert Kit - 4 Panel, 35" L	1 Each